

CLAMCO

C O R P O R A T I O N

12900 PLAZA DRIVE • CLEVELAND, OHIO 44130 • 216/267-1911

INDUSTRIAL STRETCH FILM WRAPPING STATION

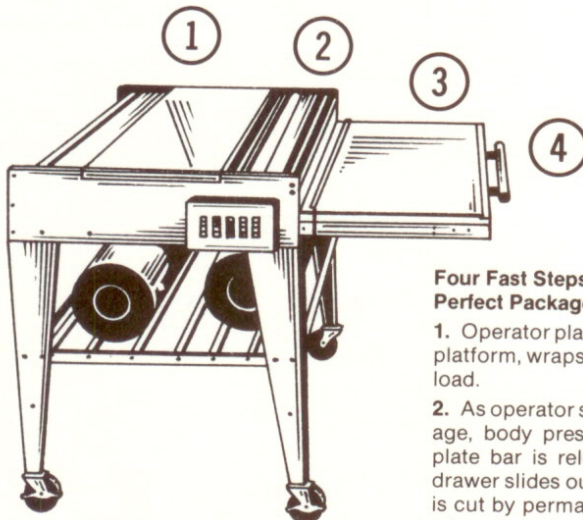
Large teflon-coated sealing plate slides in and out for ease and efficient wrapping.

Film selector provides instant selection of best film roll width for high economy — low film waste.

Permanent film cutoff band with protective shield.

Sturdy steel legs with locking castors.

Easy loading film rack. Single point film tension control.



Four Fast Steps To A Perfect Package

1. Operator places load on wrapping platform, wraps film over and around load.

2. As operator steps back with package, body pressure against sealing plate bar is released. Sealing plate drawer slides out automatically. Film is cut by permanent cutting band at edge of wrapping platform.

3. Operator tucks in package ends and places film-wrapped load on sealing plate.

4. Package is immediately sealed. Operator removes package. To wrap next load, operator steps forward, applying body pressure against sealing plate bar which slides sealing plate under table ready for wrapping next package.

MODEL: SSP 362
SEAL PLATE: 15" x 26"
FILM CAPACITY: Two Rolls up to 36"
SHIPPING WEIGHT: 185 lbs.

Distributed by: